

Specifications

Electrical Ratings	50mA @ 50VDC	Dielectric Strength	250Vrms min
Electrical Life	100,000 cycles typical	Insulation Resistance	>100MΩ min
Contact Resistance	<50mΩ initial	Operating Temperature	-40°C to 85°C
Actuation Force	160 ± 50gF 260 ± 50gF	Storage Temperature	-40°C to 85°C
Actuation Travel	.25 ± .1mm		

Materials

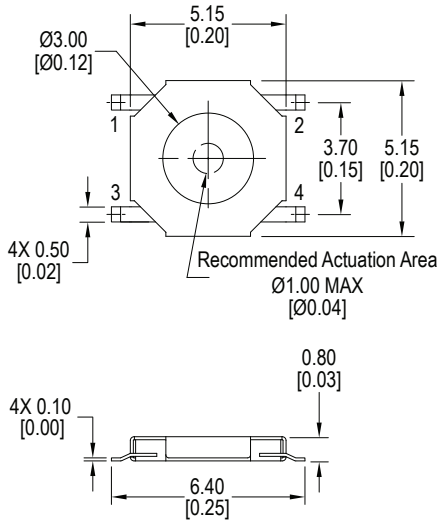
Actuator	Brass
Housing	LCP
Cover	Stainless Steel
Contacts	Stainless Steel, Silver Plated
Terminals	Phosphor Bronze, Silver Plated

Ordering Information

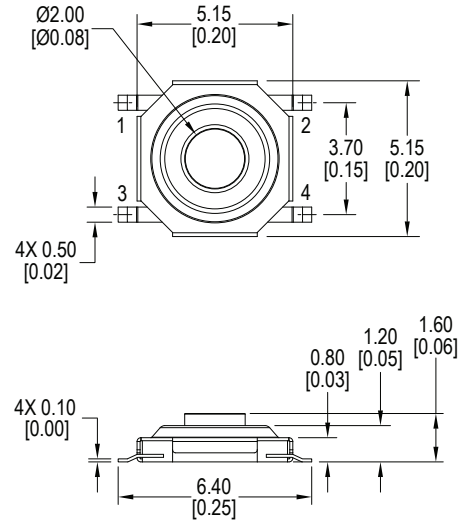
1. Series	CS1214	J	F160
CS1214			
2. Actuation Option			
Blank = Flat Actuator			
A = Extended Actuator			
3. Terminal Option			
G = Gull Wing			
J = J Lead			
4. Actuation Force			
F160 = 160gF			
F260 = 260gF			

Dimensions

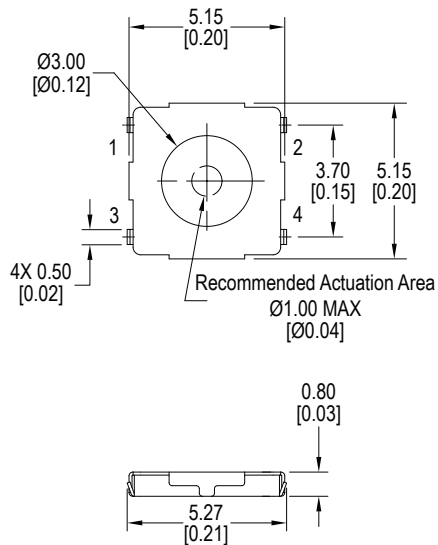
CS1214G



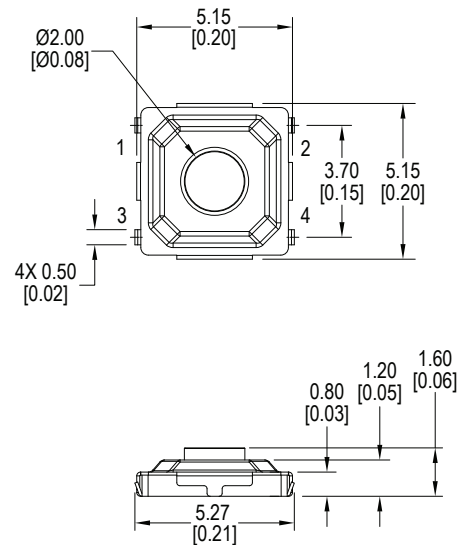
CS1214AG



CS1214J



CS1214AJ



Schematic & PC Layout

